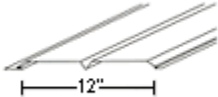
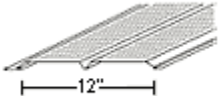
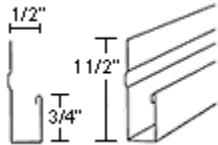
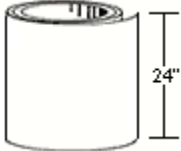



JAY KAY SEAMLESS GUTTER SUPPLY

744 Ringwood Avenue, Wanaque, NJ 07465 • Phone (973) 616-1669 • Fax (973) 616-5279 Or Just Dial 201-GUTTERS

Soffit & Trim Parts and Accessories Order Form

Product Description	Image	Quantity	Price
Solid Soffit		#	\$
Vented Soffit		#	\$
J-Channel		#	\$
24"x50' Trim Coil		#	\$
OSI QUAD™Pro-Series Caulk		#	\$